

BOX SCORE: *** FINAL ***
 Team: PAUL G. BLAZER HIGH

Date: 03-14-90 Site: GIRLS SWEET SIXTEEN, B.G. Attendance: 4000

NO.	NAME	TOTAL FG		3-POINT		FT	FTA	REB			PF	TP	A	TO	BLK	S	TIME
		FG	FGA	FG	FGA			O	D	T							
23	Kelley, Steph.	0 / 2	0 / 0	0 / 0	0 / 0	0	0	1	1	0	0	0	0	0	0	0	13:22
40	Adkins, Tina	0 / 3	0 / 0	0 / 0	0 / 0	4	4	2	2	0	0	0	0	1	1	0	23:47
31	Brown, Melissa	2 / 8	0 / 1	0 / 1	0 / 0	0	1	3	2	0	0	4	0	1	0	1	21:13
14	Franz, Stacy	8 / 25	1 / 5	1 / 5	1 / 7	7	7	2	2	0	0	24	3	2	0	0	32:00
15	Dowdy, Shauna	4 / 14	4 / 11	4 / 11	4 / 0	0	1	3	0	0	0	12	0	0	0	1	30:25
24	Greene, Rachel	3 / 5	0 / 0	0 / 0	0 / 1	1	2	2	4	0	0	7	1	0	0	3	19:00
12	Fosson, Holly	0 / 2	0 / 0	0 / 0	0 / 0	0	0	2	0	0	0	0	0	0	0	0	20:42
TEAM								2	2	4							
TOTALS		17 / 60		5 / 18		12	15	17	20	27	19	51	7	14	1	11	160
Percentages:		Game-----		FG		17/ 60	28.3%	3-PT.		5/ 18	27.8%	FT		12/ 15	80.0%	0 Deadball Rebounds	
Period 1				5/ 17		29.4%			2/ 5	40.0%			1/ 1	100.0%			
Period 2				2/ 10		20.0%			1/ 3	33.3%			0/ 0	0.0%			
Period 3				6/ 16		37.5%			1/ 4	25.0%			1/ 1	100.0%			
Period 4				4/ 17		23.5%			1/ 6	16.7%			2/ 4	50.0%			

Team: MARSHALL COUNTY HIGH

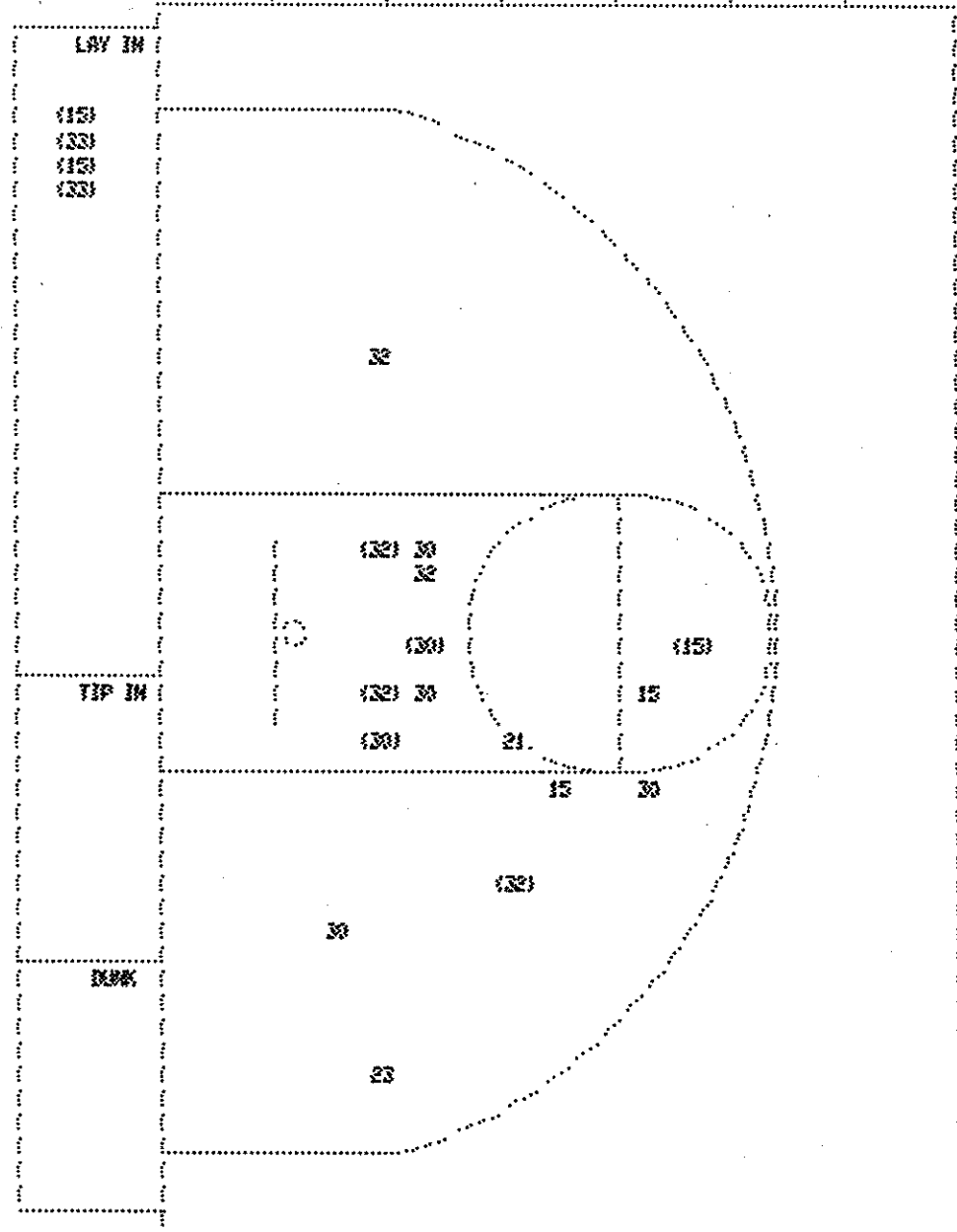
NO.	NAME	TOTAL FG		3-POINT		FT	FTA	REB			PF	TP	A	TO	BLK	S	TIME
		FG	FGA	FG	FGA			O	D	T							
23	Cadwell, Rechele	5 / 8	0 / 0	0 / 0	0 / 0	2	2	1	0	0	0	12	3	0	0	0	32:00
30	Watkins, Tammie	6 / 13	0 / 0	0 / 0	0 / 1	1	1	5	5	10	0	13	1	1	0	1	31:31
32	Oliver, Kim	5 / 12	0 / 0	0 / 0	0 / 4	4	5	4	0	0	4	14	1	1	0	0	31:31
15	Lee, Nissy	4 / 9	0 / 0	0 / 0	0 / 7	7	8	0	0	0	4	15	4	7	0	0	30:28
21	McCannack, Kandi	0 / 1	0 / 0	0 / 0	0 / 0	0	1	1	0	4	0	0	0	0	0	0	20:38
33	Fullen, Joy	3 / 4	0 / 0	0 / 0	0 / 0	0	0	0	0	0	0	6	1	0	0	0	12:14
11	Roberts, Mary	0 / 0	0 / 0	0 / 0	0 / 0	0	0	0	0	0	0	0	0	1	0	0	0:29
14	Johnson, Tammy	0 / 0	0 / 0	0 / 0	0 / 0	0	0	0	0	0	0	0	0	0	0	0	0:29
31	Bossum, Shannon	0 / 0	0 / 0	0 / 0	0 / 0	0	0	0	0	0	0	0	0	0	0	0	0:29
42	Burkeon, Jenny	0 / 0	0 / 0	0 / 0	0 / 0	0	0	0	1	1	0	0	0	0	0	0	0:29
22	Bohannon, Cassie	0 / 0	0 / 0	0 / 0	0 / 0	0	0	0	0	0	0	0	0	0	0	0	0:11
TEAM								1	1	1							
TOTALS		23 / 47		0 / 0		14	24	12	27	23	14	60	12	23	7	11	160
Percentages:		Game-----		FG		23/ 47	48.9%	3-PT.		0/ 0	0.0%	FT		14/ 24	58.3%	4 Deadball Rebounds	
Period 1				10/ 14		71.4%			0/ 0	0.0%			0/ 2	0.0%			
Period 2				3/ 13		23.1%			0/ 0	0.0%			1/ 5	20.0%			
Period 3				7/ 13		53.8%			0/ 0	0.0%			3/ 3	100.0%			
Period 4				3/ 7		42.9%			0/ 0	0.0%			10/ 14	71.4%			

OFFICIALS: Lois Holmes, Dennis Henry, Alt. - K. Clary
 Technicals: None
 SCORE BY PERIODS
 PAUL G. BLAZER HIGH 13 13 14 11 = 51
 MARSHALL COUNTY HIGH 20 7 17 16 = 50

Player	Team	MARSHALL COUNTY HIGH SCHOOL	Time	Score	PYLA G. BLAIER HIGH SCHOOL	Player	Team
		Sub In: Roberts, Mary Out: Pullen, Joy	4	0:23	Foul on Atkins, Tina	4	10
		Sub In: Johnson, Tammy Out: Oliver, Kim	4	0:23			
		Sub In: Gosson, Shanna Out:	4	0:23			
			4	0:23	Foul on Atkins, Tina	5	11
			4	0:23	Sub In: Kelley, Steph. Out: Greene, Rachel		
6-7	25.7%	13-23 25.2%	4	0:23	48-48		
		Lee, Missy 1 & Bonus - made 1st missed 2nd	4	0:23			
		Sub In: Burdeen, Jenny Out: Watkins, Tammie	4	0:21	23-21* 3 pt 24 ft Left Angle Jump shot by Franz, Stacy	8-25	22.0% 17-22 23.3%
			4	0:15	Foul on Dowdy, Shanna	2	12
7-8	27.2%	14-24 28.3%	4	0:14	50-51		
		Lee, Missy 1 & Bonus - made	4	0:11			
		Sub In: Schannon, Cassie Out: Lee, Missy	4	0:00	3 pt 22 ft Straight Away Jump shot by Brown, Melissa, missed	2-8	25.0% 17-20 28.3%
		Bribbling Erver on Roberts, Mary	4	0:00			

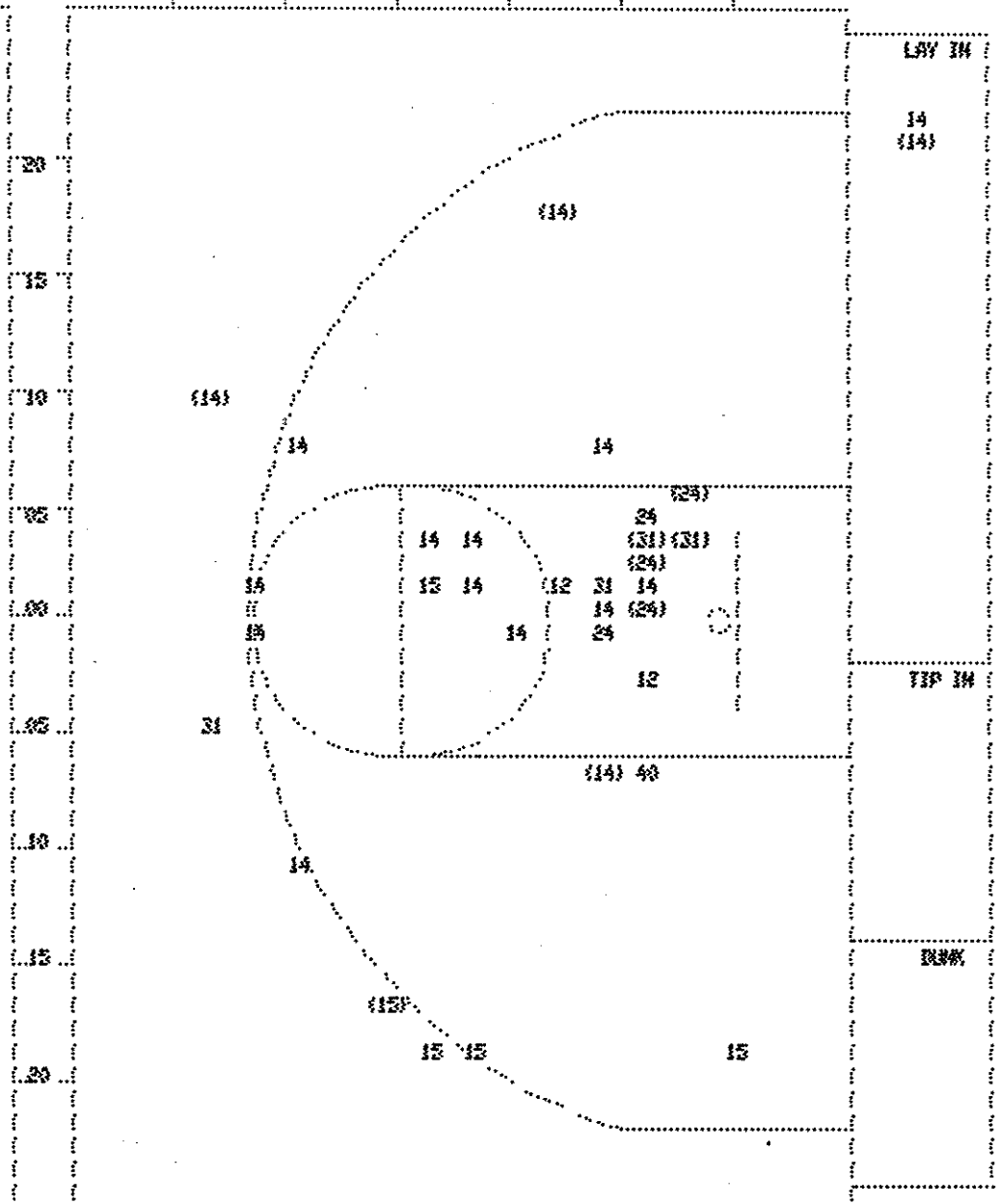
Player	Team	MARSHALL COUNTY HIGH SCHOOL	Time	Score	PYLL G. BLAZER HIGH SCHOOL	Player	Team
Cadwell,Rechele,Mathine,	Tawmie, Lee, Missy,Oliver, Kim,Mcsmach, Kandi	Roll to LADY MARSHALS	4 5:50	44-42*	4 ft Lane Follow by Brown, Melissa	Brown, Melissa ,Fosson, Holly, Greene, Rachel, Franz, Stacy, Bowdy, Shauna	2-7 23.5X 14-48 23.1X
	PER: 23 A: 11 BLK: 5 TO: 15 PF: 4		4 5:45			PER: 31 A: 6 BLK: 1 TO: 12 PF: 2	
	S: 8 FT: 4-10 40.0X FG: 20-40 50.0X	No. 1 MARSHALL COUNTY HIGH SCHOOL	T I M E - O U T			S: 9 FT: 10-11 90.9X FG: 14-48 29.1X	
5-12 41.5X 21-44 47.7X		3 ft Lane Follow by Oliver, Kim	4 5:37	46-42			
3-3 100X 5-11 45.4X		Oliver, Kim 1 Free Throw - made	4 5:37		Foul on Brown, Melissa		2 3
2	5	Foul on Cadwell,Rechele	4 5:37	47-42			
			4 5:35				
4	6	Foul on Oliver, Kim	4 5:35	47-44*	Franz, Stacy 1 & Bonus - made both		7-7 100X 12-13 92.3X
			4 5:37				
			4 5:36		Brown, Melissa 1 & Bonus - missed 1st		0-1 00.0X 12-14 82.7X
2-3 25.0X 6-13 46.1X		Cadwell,Rechele 1 & Bonus - made 1st missed 2nd	4 5:44		Foul on Greene, Rachel		3 4
			4 5:44		Sub In: Kelley, Steph. Out: Bowdy, Shauna		
			4 5:44	48-44			
			4 5:44		Sub In: Adkins, Tina Out: Brown, Melissa		
			4 5:31	48-45*	5 ft Left Base Line Turnaround by Greene, Rachel		2-5 50.0X 15-49 30.6X
			4 5:14	48-48*	Layup Off Fast Break by Franz, Stacy		7-22 31.8X 16-50 32.0X
		Assist by Fosson, Holly					3 7
		Sub In: Pallen, Joy Out: Mcsmach, Kandi	4 5:57				
			4 5:40		Foul on Kelley, Steph.		3 5
2-3 22.2X 6-14 42.8X		Cadwell,Rechele 1 & Bonus - missed 1st	4 5:38				
			4 5:38		Sub In: Bowdy, Shauna Out: Kelley, Steph.		
			4 5:12				
	PER: 24 A: 11 BLK: 7 TO: 20 PF: 5		4 5:12			PER: 35 A: 7 BLK: 1 TO: 12 PF: 5	
	S: 9 FT: 6-14 42.8X FG: 21-42 46.6X	No. 2 MARSHALL COUNTY HIGH SCHOOL	T I M E - O U T			S: 2 FT: 12-14 85.7X FG: 15-53 30.1X	
4-3 44.4X 22-46 47.8X		Layup Off Fast Break by Lee, Missy	4 5:12		Sub In: Brown, Melissa Out: Greene, Rachel		
			4 1:25	450-48			
			4 1:25		Foul on Franz, Stacy		1 6
1-1 100X 7-15 46.6X		Lee, Missy 1 Free Throw - made	4 1:25		Sub In: Greene, Rachel Out: Brown, Melissa		
4	7	Foul on Lee, Missy	4 1:25	451-48			
			4 1:29				
			4 1:29		Greene, Rachel 1 & Bonus - missed 1st		1-2 50.0X 12-15 80.0X
			4 1:28		Foul on Fosson, Holly		2 7
	PER: 25 A: 11 BLK: 7 TO: 21 PF: 7		4 1:28			PER: 35 A: 7 BLK: 1 TO: 13 PF: 7	
	S: 10 FT: 7-15 46.6X FG: 22-46 47.8X	T I M E - O U T	PYLL G. BLAZER HIGH SCHOOL No. 2			S: 10 FT: 12-15 80.0X FG: 16-54 29.6X	
4-5 80.0X 8-17 47.0X		Oliver, Kim 1 & Bonus - made 1st missed 2nd	4 1:28	452-48			
			4 1:12		Foul on Bowdy, Shauna		1 8
3-3 100X 10-13 52.6X		Lee, Missy 1 & Bonus - made both	4 1:11	454-48			
3-4 75.0X 23-47 48.9X		Layup Off Fast Break by Pallen, Joy	4 0:55	456-48			
3	12	Assist by Cadwell,Rechele					
			4 0:45		Foul on Franz, Stacy		2 9
	PER: 37 A: 12 BLK: 7 TO: 21 PF: 7		4 0:45			PER: 35 A: 7 BLK: 1 TO: 14 PF: 3	
	S: 11 FT: 10-13 52.6X FG: 23-47 48.9X	T I M E - O U T	PYLL G. BLAZER HIGH SCHOOL No. 3			S: 10 FT: 12-15 80.0X FG: 16-56 28.2X	
5-5 100X 12-21 57.1X		Lee, Missy 1 & Bonus - made both	4 0:45		Sub In: Brown, Melissa Out: Greene, Rachel		
			4 0:45	458-48			

Player	Team	MARSHALL COUNTY HIGH SCHOOL	Time	Score	PAUL G. BLAZER HIGH SCHOOL	Player	Team
Lee, Missey, Wommach, Kandi		Mathins, Tammie, Cadwell, Rechele, Oliver, Kim			Bowdy, Shauna, Kelley, Steph., Franz, Stacy, Brown, Melissa, Adhine, Tino		
		Ball to LADY MARSHALS					
2-5 40.0%	14-28 50.0%	15 ft Circle Jump shot by Lee, Missey	3 7:46	423-26			
1	10	Assist by Oliver, Kim					
			3 8:25		Foul on Adhine, Tino	3	1
2-2 100%	3-9 33.3%	Oliver, Kim 2 Free Throws - made both	3 8:25	421-26			
2	1	Foul on Wommach, Kandi	3 8:15				
1	2	Foul on Cadwell, Rechele	3 8:53				
3-8 37.5%	15-30 50.0%	4 ft Lane Bank by Oliver, Kim	3 8:23	433-26			
			3 8:17				
		PER: 24 A: 10 BLK: 4 TO: 11 PF: 2			PER: 20 A: 3 BLK: 1 TO: 8 PF: 1		
		S: 5 FT: 3-9 33.3% FG: 15-30 50.0%	T I M E - O U T		PAUL G. BLAZER HIGH SCHOOL No. 1		S: 6 FT: 3-10 30.0% FG: 7-31 22.5%
			3 8:17		Sub In: Greene, Rachel Out: Brown, Melissa		
			3 4:53	33-28*	13 ft Left Side Jump shot by Franz, Stacy	5-14 38.7%	8-33 24.2%
					Assist by Greene, Rachel	1	4
4-3 44.4%	16-31 51.6%	13 ft Left Side Jump shot by Oliver, Kim	3 4:38	432-28			
3-6 50.0%	17-32 53.1%	Layup Off Fast Break by Lee, Missey	3 4:08	437-28			
			3 4:01	37-30*	7 ft Lane Jump shot by Franz, Stacy	6-15 40.0%	9-34 26.4%
			3 3:05	37-32*	3 ft Lane Follow by Greene, Rachel	1-1 100%	10-37 27.0%
2	3	Foul on Mathins, Tammie	3 3:05				
			3 3:05		Sub In: Fossen, Holly Out: Kelley, Steph.		
		Sub In: Pullen, Joy Out: Wommach, Kandi	3 3:05				
			3 3:05	37-33*	Greene, Rachel 1 Free Throw - made	1-1 100%	10-11 90.3%
5-10 50.0%	18-37 48.6%	4 ft Lane Turnaround by Mathins, Tammie	3 2:45		Sub In: Brown, Melissa Out: Adhine, Tino		
1	11	Assist by Pullen, Joy	3 2:38	433-33			
			3 2:38		Foul on Greene, Rachel	2	2
1-1 100%	4-10 40.0%	Mathins, Tammie 1 Free Throw - made	3 2:13	440-33			
			3 2:13	40-35*	4 ft Lane Follow by Brown, Melissa	1-6 16.6%	11-40 27.5%
			3 1:51	40-37*	4 ft Lane Bank by Greene, Rachel	2-2 100%	12-41 29.3%
					Assist by Fossen, Holly	1	5
5-11 54.5%	17-28 60.7%	4 ft Lane Jump shot by Mathins, Tammie	3 1:23	442-37			
2-3 66.6%	20-30 66.7%	Layup Off Fast Break by Pullen, Joy	3 0:52	444-37			
3	4	Foul on Oliver, Kim	3 0:52				
		Sub In: Wommach, Kandi Out: Pullen, Joy	3 0:52				
			3 0:52	44-40*	3 pt 21 ft Right Side Jump shot by Bowdy, Shauna	4-11 36.4%	13-43 30.2%
					Assist by Fossen, Holly	2	6



MARSHALL COUNTY HIGH SCHOOL

Player	Player	Player	Player	Player
15 - Lee, Micky 3/ 5 60.0%	21 - Humesch, K 0/ 1 0.0%	22 - Cadwell, Re 0/ 1 0.0%	23 - Watkins, T 2/ 6 33.3%	24 - Oliver, M 3/ 5 60.0%
21 - Humesch, K 0/ 1 0.0%	22 - Cadwell, Re 0/ 1 0.0%	23 - Watkins, T 2/ 6 33.3%	24 - Oliver, M 3/ 5 60.0%	33 - Pullen, Jo 2/ 2 100.0%
Laysup	1-3 Ft	10-15 Ft	Over 15 Ft	3 Pointers Total
4 / 4	4 / 8	1 / 5	1 / 2	10 / 20
100.0%	50.0%	16.7%	50.0%	50.0%



PAUL G. BLAZER HIGH SCHOOL

Player	Player	Player	Player	Player
12 - Fosson, Ho 0/ 2 0.0%	14 - Franz, Ste 4/16 25.0%	15 - Bandy, Sha 1/ 5 20.0%	24 - Greene, Ra 3/ 3 60.0%	31 - Brown, Nel 2/ 4 50.0%
14 - Franz, Ste 4/16 25.0%	15 - Bandy, Sha 1/ 5 20.0%	24 - Greene, Ra 3/ 3 60.0%	31 - Brown, Nel 2/ 4 50.0%	40 - Adkins, Ti 0/ 1 0.0%
Laysup	1-3 Ft	10-15 Ft	Over 15 Ft	3 Pointers Total
1 / 2	6 / 16	0 / 4	1 / 1	2 / 10
50.0%	37.5%	0.0%	100.0%	20.0%
				30.3%

BOX SCORE: * OFFICIAL FIRST HALF * Date: 03-14-90 Site: GIRLS SWEET SIXTEEN, B.G. Attendance:
 Team: PAUL G. BLAZER HIGH

NO.	NAME	TOTAL FG		3-POINT		FT	FTA	REB					PF	TP	A	TO	BLK	S	TIME
		FG	FGA	FG	FGA			O	D	T	TI								
23	Kelley, Steph.	0 / 2		0 / 0		0	0	0	0	0	0	0	0	0	0	0	0	0	6:23
40	Adkins, Tina	0 / 2		0 / 0		4	4	2	2	4	2	4	0	0	0	1	1	13:43	
31	Brown, Melissa	0 / 4		0 / 0		0	0	0	4	4	1	0	0	0	1	0	1	11:26	
14	Franz, Stacy	4 / 10		0 / 1		5	5	2	1	3	0	13	3	1	0	0	0	16:00	
15	Bowdy, Shawna	3 / 9		3 / 7		0	1	1	2	3	0	9	0	2	0	0	0	16:00	
24	Greene, Rachel	0 / 0		0 / 0		0	0	0	1	1	1	0	0	2	0	2	2	6:45	
12	Fosson, Holly	0 / 0		0 / 0		0	0	1	0	1	1	0	0	0	0	2	2	9:27	
TEAM								1	2	3									
TOTALS		7 / 27		3 / 8		9	10	7	12	19	5	25	3	8	1	5	80		
Percentages:		HALF-----		FG		7 / 27	25.9%	3-PT.		3 / 8	37.5%	FT		9 / 10	90.0%				
		Period 1				5 / 17	29.4%			2 / 5	40.0%			1 / 1	100.0%				
		Period 2				2 / 10	20.0%			1 / 3	33.3%			8 / 9	88.9%				

Team: MARSHALL COUNTY HIGH

NO.	NAME	TOTAL FG		3-POINT		FT	FTA	REB					PF	TP	A	TO	BLK	S	TIME
		FG	FGA	FG	FGA			O	D	T	TI								
23	Cadwell, Rechele	5 / 7		0 / 0		1	5	0	5	5	2	11	2	5	1	1	1	16:00	
30	Mathins, Tammie	4 / 7		0 / 0		0	0	2	3	5	1	8	1	1	1	1	1	16:00	
32	Oliver, Kim	2 / 7		0 / 0		0	0	2	3	5	2	4	0	0	1	0	0	16:00	
15	Lee, Missy	1 / 4		0 / 0		0	0	0	1	1	3	2	4	1	0	2	2	14:29	
21	Wonnack, Kandi	0 / 0		0 / 0		0	1	1	0	1	1	0	2	3	0	0	0	10:48	
33	Pullen, Joy	1 / 2		0 / 0		0	0	0	2	2	0	2	0	0	0	1	1	6:33	
TEAM								1	1	1									
TOTALS		13 / 27		0 / 0		1	7	6	14	20	3	27	3	10	3	5	80		
Percentages:		HALF-----		FG		13 / 27	48.1%	3-PT.		0 / 0	0.0%	FT		1 / 7	14.3%				
		Period 1				10 / 14	71.4%			0 / 0	0.0%			0 / 2	0.0%				
		Period 2				3 / 13	23.1%			0 / 0	0.0%			1 / 5	20.0%				

OFFICIALS: Lois Holmes, Dennis Henry, Alt.-K. Clary
 Technicals: None
 SCORE BY PERIODS
 PAUL G. BLAZER HIGH 13 13 = 26
 MARSHALL COUNTY HIGH 20 7 = 27

Produced by the K.H.S.A.A. Stat Crew with FINL III - a Product of LENIXON SPORTS™

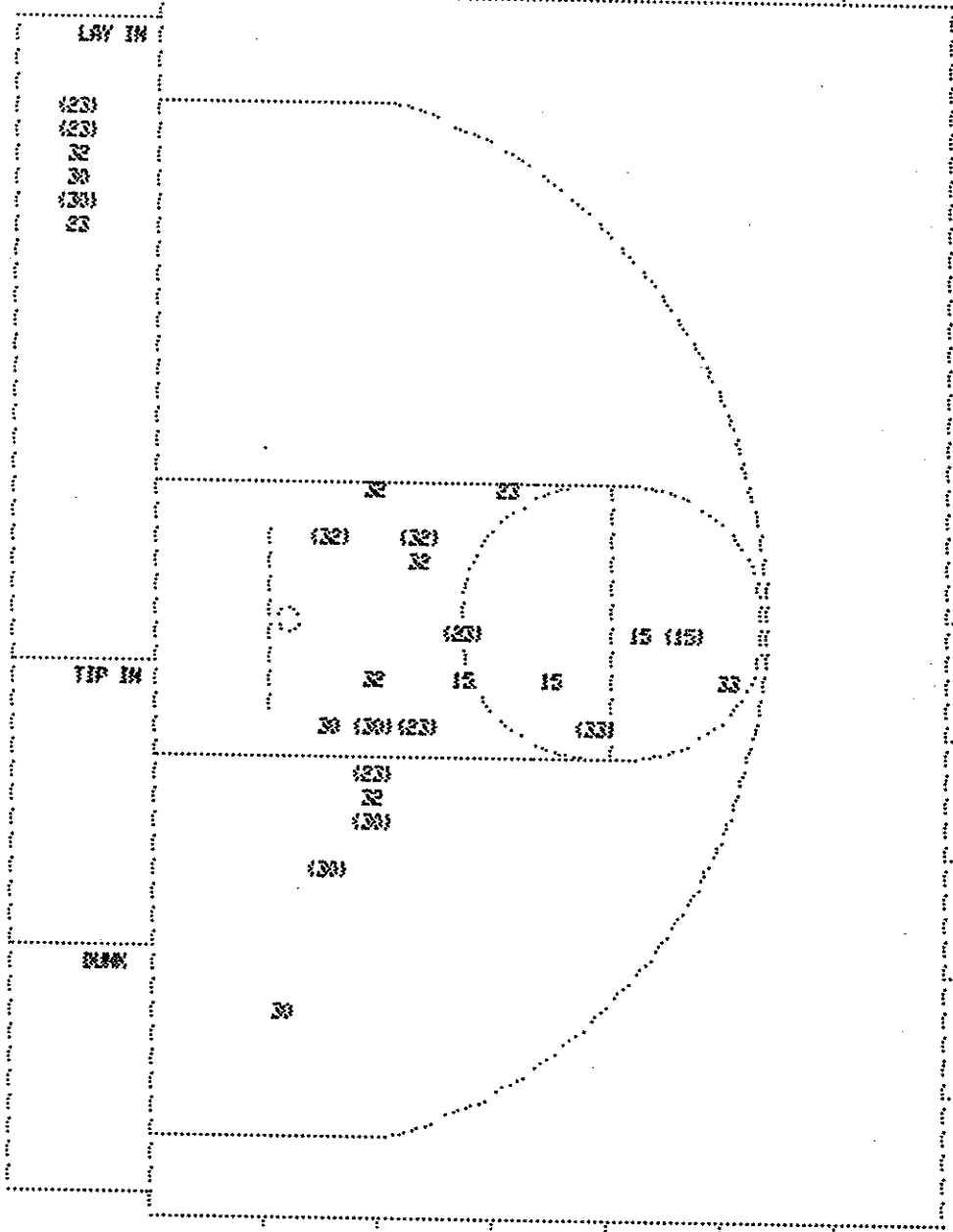
PYLL G. BLAZER HIGH SCHOOL "KITTEMS" vs MARSHALL COUNTY HIGH SCHOOL "LADY MARSHALS"
1st Half Play by Play

PAGE : 1

Tip off at 1:30 CST on 03/14/90 at GYM # SWEET SIXTEEN, R.G.
Produced by the K.H.S.A.A. Stat Crew with FINOL III - a Product of LEXICON SPORTS

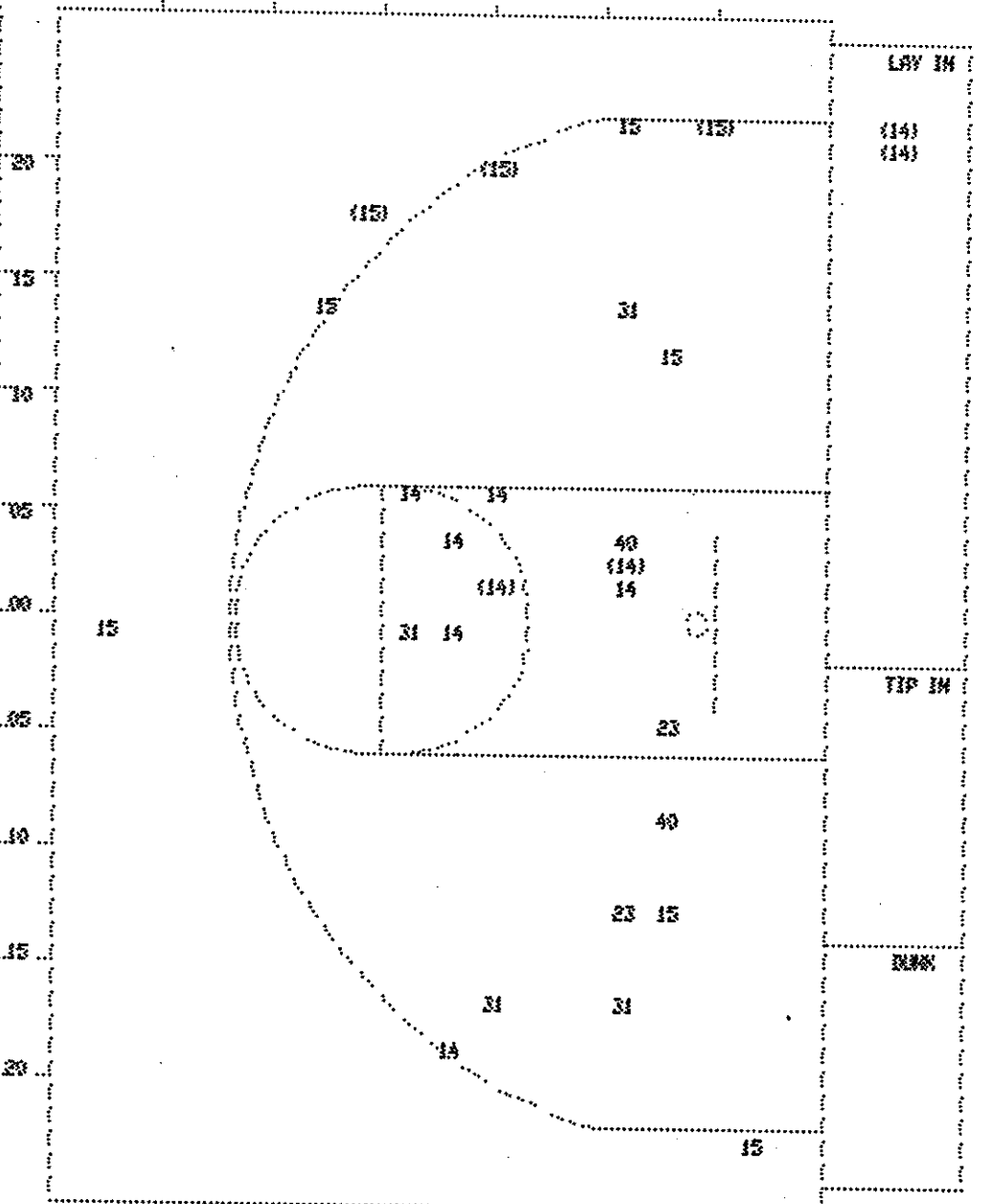
Player	Team	MARSHALL COUNTY HIGH SCHOOL	Time	Score	PYLL G. BLAZER HIGH SCHOOL	Player	Team
Cadwell, Rechele, Mathins,	Tammie, Oliver, Kim, Lee, Missy, Womack, Kandi	Ball to LADY MARSHALS			Kelley, Steph., Adkins, Tina, Brown, Melissa, Franz, Stacy, Bowdy, Shauna		
1-1 100% 1-1 100%	4 ft Lane Turnaround by Oliver, Kim	1 7:28	42-0				
	Assist by Womack, Kandi	1 7:23	2-3*	3 pt 23 ft Left Side Jump shot by Bowdy, Shauna	1-2 50.0%	1-2 50.0%	
		1 7:02		Assist by Franz, Stacy	1 1	1 1	
1-1 100% 2-2 100%	3 ft Left Side Turnaround by Mathins, Tammie	1 7:00	44-3	Foul on Kelley, Steph.	1 1	1 1	
0-1 00.0%	Cadwell, Rechele 1 Free Throw - missed	1 6:11		Foul on Kelley, Steph.	2 2	2 2	
1-1 100%	Driving Layup by Cadwell, Rechele	1 6:11					
	Assist by Lee, Missy	1 5:52	46-3				
2-0 100%	6 ft Left Side Jump shot by Cadwell, Rechele	1 5:02	48-3				
2-0 100%	6 ft Lane Turnaround by Oliver, Kim	1 4:33	48-3				
	Assist by Womack, Kandi	1 4:11	48-5*	3 ft Lane Jump shot by Franz, Stacy	1-2 50.0%	2-7 28.5%	
3-3 100%	Layup Off Fast Break by Cadwell, Rechele	1 4:00	48-5				
0-2 00.0%	Cadwell, Rechele 1 Free Throw - missed	1 4:00		Foul on Adkins, Tina	1 3	3 3	
		1 4:00					
4-4 100%	6 ft Lane Turnaround by Cadwell, Rechele	1 3:50		Foul on Adkins, Tina	2 4	4 4	
	Assist by Lee, Missy	1 3:46	48-5				
	Foul on Womack, Kandi	1 2:46		Sub In: Greene, Rachel Out: Brown, Melissa			
2-6 83.3%	6 ft Lane Bank by Cadwell, Rechele	1 2:32					
	Assist by Mathins, Tammie	1 1:58	48-5				
		1 1:33	48-6*	3 pt 22 ft Left Side Jump shot by Bowdy, Shauna	2-4 50.0%	3-13 23.0%	
		1 1:37		Assist by Franz, Stacy	2 2	2 2	
1-2 50.0%	16 ft Circle Jump shot by Lee, Missy	1 1:24		Sub In: Frazier, Holly Out: Kelley, Steph.			
	Assist by Cadwell, Rechele	1 1:24	48-6	Sub In: Brown, Melissa Out: Adkins, Tina			
2-2 100%	10 ft Left Base Line Jump shot by Mathins, Tammie	1 0:57	48-10*	Felton Felton by Franz, Stacy	2-6 33.3%	4-15 26.6%	
	Assist by Lee, Missy	1 0:43	48-10				
	Foul on Oliver, Kim	1 0:24	48-12*	4 ft Lane Driving by Franz, Stacy	3-7 42.8%	5-16 31.2%	
		1 0:24	48-12*				
		1 0:24	48-13*	Franz, Stacy 1 Free Throw - made	1-1 100%	1-1 100%	

Player	Team	MARSHALL COUNTY HIGH SCHOOL	Time	Score	WHL G. BLAZER HIGH SCHOOL	Player	Team
Wommach, Kandi		Cadwell, Rechele, Lee, Missy, Watkins, Tammie, Oliver, Kim			Frans, Stacy, Fosson, Holly, Greene, Rachel, Brown, Melissa, Bowdy, Shauna		
		Ball to LADY MARSHALS					
3-3	100% 11-15 73.3%	4 ft Lane Bank by Watkins, Tammie	2	7:38 622-13			
2	8	Assist by Cadwell, Rechele					
		Sub In: Fuller, Joy Out: Wommach, Kandi					
1	3	Foul on Watkins, Tammie	2	7:13	Sub In: Adkins, Tina Out: Greene, Rachel		
			2	6:53 22-15*	Follow Follow by Frans, Stacy	4-3	44.4% 6-13 31.5%
			2	6:33			
			2	6:25			
			2	6:25 22-17*	Adkins, Tina 2 Free Throws - made both	2-2	100% 3-3 100%
			2	5:33	Foul on Brown, Melissa	1	5
1-3 33.3%	1-3 33.3%	Cadwell, Rechele 1 Free Throw - made	2	5:33 623-17			
1-4 25.0%	1-4 25.0%	Cadwell, Rechele 1 Free Throw - missed	2	5:21			
			2	4:02	Foul on Fosson, Holly	1	6
1-6 16.6%	1-6 16.6%	Cadwell, Rechele 2 Free Throws - missed both	2	4:01			
4-6 66.6%	12-23 52.1%	Bank Layup by Watkins, Tammie	2	3:12 625-17			
		Foul on Lee, Missy	2	3:12	Sub In: Greene, Rachel Out: Brown, Melissa		
			2	3:05 25-13*	Frans, Stacy 2 Free Throws - made both	3-3	100% 5-3 100%
1-2 50.0%	13-24 54.1%	13 ft Lane Jump shot by Fuller, Joy	2	2:49 627-13			
4	3	Assist by Lee, Missy					
2	3	Foul on Oliver, Kim	2	2:16			
			2	2:16 27-21*	Adkins, Tina 2 Free Throws - made both	4-4	100% 7-7 100%
		Foul on Lee, Missy	2	1:48			
			2	1:45	Bowdy, Shauna 1 & Bonus - missed 1st	0-1	00.0% 7-8 87.5%
3	7	Foul on Lee, Missy	2	1:21			
		Sub In: Wommach, Kandi Out: Lee, Missy	2	1:21 27-23*	Frans, Stacy 2 Free Throws - made both	5-5	100% 9-10 90.0%
			2	0:37 27-26*	3 pt 22 ft Left Base Line Jump shot by Bowdy, Shauna	3-3	33.3% 7-27 25.9%
					Assist by Frans, Stacy	3	3
0-1 00.0%	1-7 14.2%	Wommach, Kandi 1 & Bonus - missed 1st	2	0:03	Foul on Greene, Rachel	1	7
			2	0:03			



MARSHALL COUNTY HIGH SCHOOL

Player	Player	Player
15 - Lee, Missy 1 / 4 25.0%		
23 - Cadwell, De 2 / 7 71.4%		
30 - Watkins, T 4 / 7 57.1%		
32 - Oliver, Ki 2 / 7 28.6%		
33 - Pullen, Jo 1 / 2 50.0%		
Layups 1-3 Ft 10-15 Ft Over 15 Ft 3 Pointers Total		
2 / 6 7 / 13 2 / 3 1 / 3 13 / 27		
33.3% 53.8% 40.0% 33.3% 48.1%		



PAUL G. BLAZER HIGH SCHOOL

Player	Player	Player
14 - Frazz, Ste 4 / 10 40.0%		
13 - Bandy, Sha 3 / 9 33.3%		
22 - Kelley, St 0 / 0 0.0%		
31 - Brown, Mel 0 / 4 0.0%		
40 - Adkins, Ti 0 / 2 0.0%		
Layups 1-3 Ft 10-15 Ft Over 15 Ft 3 Pointers Total		
2 / 2 2 / 6 0 / 3 0 / 2 3 / 8 7 / 27		
100.0% 33.3% 0.0% 0.0% 37.5% 25.9%		